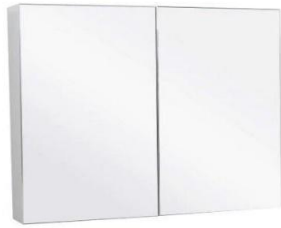
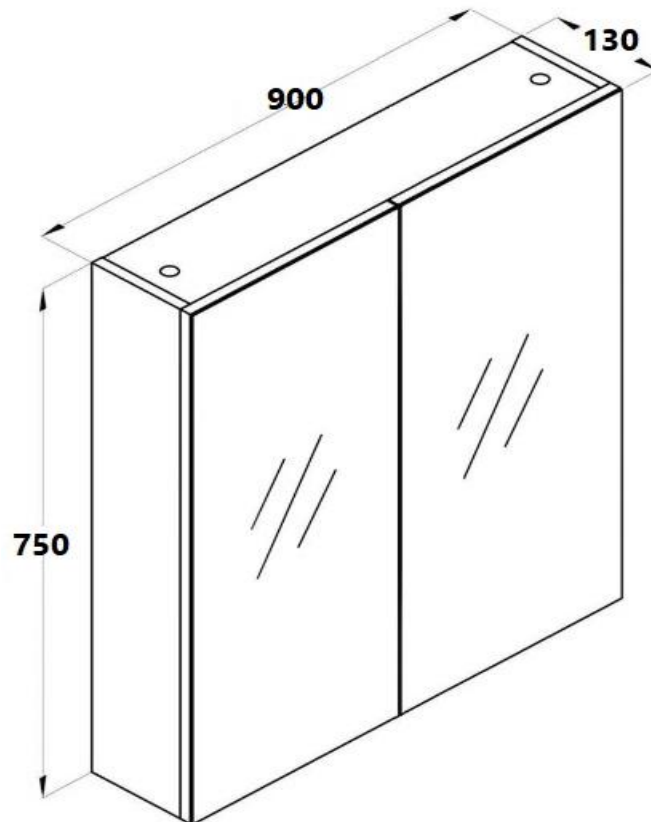


900mm Mirror Cabinet



Measurements: 900 x 750 x 130mm
Weight: 24KG

SPECIFICATIONS



CLEANING & MAINTENANCE:

Cabinets should be cleaned with a damp, soft cloth
Avoid using waxes, solvents, abrasives, acids and other chemical based cleaners
Warranty will be void if damages are caused by unsuitable cleaning products
Spills should be cleaned immediately to prevent damage or discolouration

WARRANTY INFORMATION:

Cabinet Structure - **5 Years**
Hinges/Hardware/Labour: **1 Year**
Mirror & Mirror Panels: **1 Year**

Measurements subject to change due to manufacturing variations. Always use Physical Product for Roughing-In

ZENMO
Zen-inspired, Modern Living

ADDRESS: 42 Castro Way, Derrimut VIC 3026

PHONE: (03) 8390 6300

OFFICE: ect_sales@outlook.com

SERVICE: ect_service@outlook.com

WEBSITE: www.zenmo.com.au